

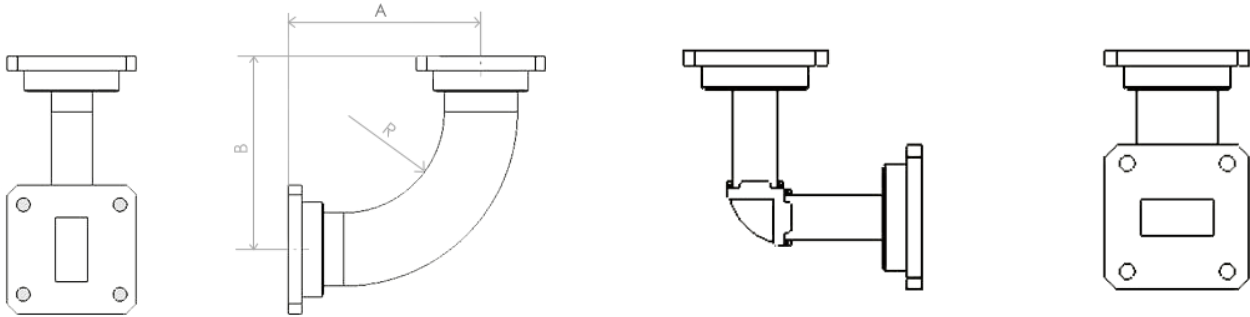


RF Components

Model Number:
WGXCX-197156-X

C-Band Waveguide Bends

5.85 - 8.2GHz



Swept Bend

Mitred Bend

Specification	
Waveguide Size	WG14 / WR137 / R70
Bend Type	Mitred or Swept
Bend Angle	90 degrees
Radius	60mm
Leg Lengths	125mm
Plane	E or H
Frequency	5.85 - 8.2GHz
VSWR	1.05:1
Power (max)	520 KW
Flanges Available (abbreviation)	UG 343B/U (UG) / UG3 44/U (UF) CPRG70 (CG) / CPRF70 (CF) PDR 70 (PD) / UDR 70 (UD) UAR 70 (UA) / PAR 70 (PA)
Material	Copper WG, Brass Flanges
Finish	Black Paint

Model Numbers						
Example: WGSCX-197156-E-CGCF						
WG	S	KX	197156	E	CG	CF
Waveguide	S - Swept M- Mitred	Frequency band	Model Number	Plane	Flange 1	Flange 2

Broadcast



Marine Oil & Gas



SNG & VSAT



Satellite Teleport

